

Brick Super-D3660 Ceiling Fans

Model: BRK-SD-3660

A. Over 900 m² effective reach

Diameters: 4300-3660-3300 mm / 14-12-11 Ft.,
Speed: 110-120 rpm,
Over 900 m² reach, similar to the performance of 7300 mm diameter fan.

B. Simple installation

DIY installation. Simplify installation procedures, remove 4 pieces stabilizing ropes and auto-leveling the motor.

Just lifting extension tube to hang up the hoop on roof plate.

C. Relief vibration transferring to the roof by rubber sleeve hoop and adjustable hanging

D. Patented Al-Pc Complex Blade

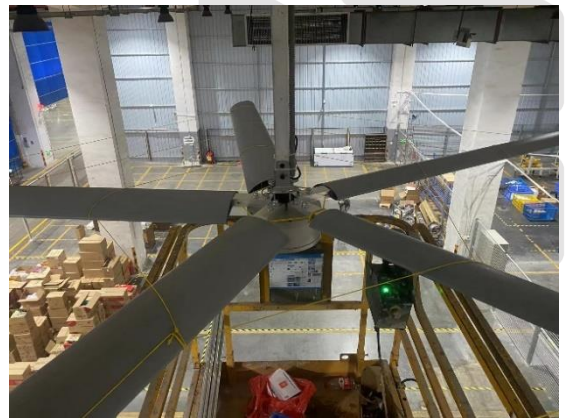
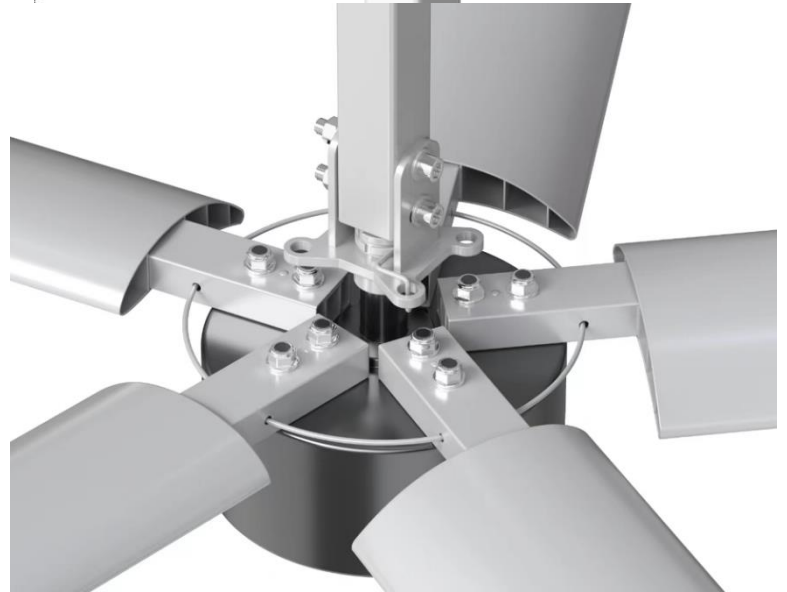
Two materials compose blade. Shell by engineering plastic, Skeleton by aluminum tube. Total weight reduces 40%. No blade resonance. Energy saving.

E. Patented Blade Interconnect Grille

A nylon cord interconnects every blade in turn to form a floating ring. 3-5 rings along the radial which tie all blades build a protection grille to hold any free-fall blade.

Spec./Model/Param./Config.

Items	Contents		
Model	BRK-SD3660		
Diameters mm/Ft.	4300 /14	3660 /12	3300 /11
Max. Speed rpm	110	120	120
Circulating m ³ /m	9300	8600	8100
Airflow reach m ²	900	700	600
Weight kg	46	45	43
Motor power	0.75 kw		
Power param.	220 V/1P, 50-60 Hz.		
Blade materials	Al-Pc Complex Blade and Interconnect Grille		



Superiorities of Al-Pc Complex Blade

- Plastic material needs lower melting temperature in extrude process, consume less energy.
- reduce 40% in weight compare to aluminum blade, save driven power, cut down skeleton load and minimize metal fatigue, prolong service life.
- Two materials compose blade, plastic contour and aluminum skeleton, the blade will not resonate. Most of broken blades were caused by metal fatigue at root position.
- No resonance plus lightweight will generate higher rpm, faster ground airflow and larger extend reach by equivalent power.
- Easy clean, no water stain left after water clean.
- blade color optional for long term buyers or large order.
- Blade Interconnect Grille will prevent blade from free fall, which substantially upgrade the Safety and reliability criteria in industry.
- Nylon cord of Grille is light and easy to knit, decrease the load and Installation time.

Reliability and quality of Al-Pc complex Blade

- Main ingredient of blade contour is polycarbonate (PC), it is an engineering plastic of high performance-price ratio.
- PC is widely applied in mechanical and optics industry since its outstanding features in mechanical, heat-resisting, and anti-aging. such as glass window on aircraft, gear and crank axle on machine etc.
- Service life of PC is over ten years in interior application.
- Skeleton undertake strength and rigidity of blade on radial. it made of extrude aluminum, exactly same with aluminum blade. Compared with the latter, Curve down phenomenon on blade will ease in years application as skeleton bear less load, cantilever load also decline. Working condition of skeleton is better than aluminum blade
- The blade strength of transverse section partly be undertaken by PC, 4 vertical stiffeners in inner cavity are set to ensure the contour no twisted、deformed or broken.
- Durability and reliability of Al-Pc Complex blade is superior to aluminum blade.

Brief Introduction to Brick

- Dedicated to R&D and manufacturing.
- Distributor and agent focus on site service, backed by Brick.
- Brick mission is to promote new technology and products, upgrade safety and reliability criteria substantially.
- Technologies such as Al-Pc Complex Blade + Blade Interconnect Grille + bilayer Motor rack + Skeleton Interconnect Ring for HVLS Ceiling Fans, and Segment Structure + Ladder Shaped Flank Grille for portable fans etc. they are all originally and initially invented by Brick, which innovatively improve or substantially resolve the existing problems, related to safety and reliability.
- Initially launch Concentrated or Broad Airflow Blade on portable and Pivot Fans
- Initially launch Dock Fans of jet stream for long trailer, first supplier in industry to focus on improvement of muggy environment inside container.
- All those innovative technologies have applied patents.

Brick (GD) Machinery Technology Co., Ltd.
Block #43, Zhong Jin Run Industrial Park, Yue-Gui Cooperation Zone, Ping Feng,
Feng Kai County, Zhao Qin City, Guangdong, PRC.
Cell: (0) 157 6715 8231
E-mail: sales@Brick-Air.com
Web-site: www.Brick-Air.com

Other innovative products



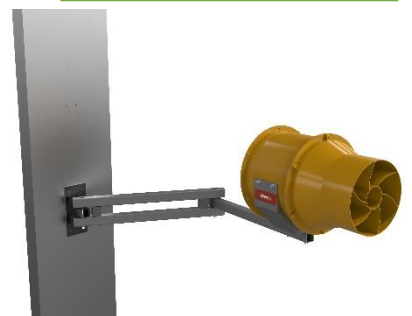
HVLS Fans by Gear motor



Portable Fans



Comm. Ceiling Fans



Dock Fans



Pivot Fans